

BAG2-180



Bipod supports

Technopolymer

MATERIAL

Glass-fibre reinforced polyamide based (PA) technopolymer, black colour, matte finish.

STANDARD EXECUTIONS

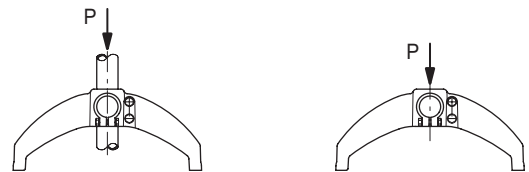
- **BAG2-180-A**: zinc-plated steel M10 screws, nuts and washers.
- **BAG2-180-SST**: AISI 304 stainless steel M10 screws, nuts and washers.

ASSEMBLY ON LEVELLING ELEMENTS

The bipod support bases are supplied with brass bosses, threaded pass-through hole for the assembly of the stem of the levelling element series L.S.A, L.V.A, L.V.F.

FEATURES

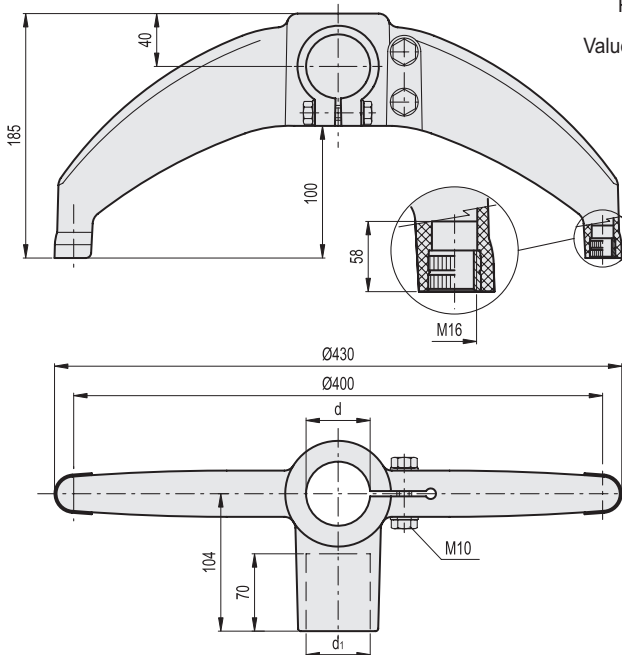
The absence of cavities and the slightly round shapes offer modern and elegant aesthetics and guarantee the easy cleaning. Maximum tightening torque for screw assembly 35 Nm.



Retention force
P = 2000 N

Max. static load
P = 9800 N

Values obtained with tightening torque 35 Nm



BAG2-180-A

Code	Description	d Tube (mm)	d Tube (GAS)	d1 Tube (mm)	d1 Tube (GAS)	⚖
419630	BAG2-180-42-42-A	42.4	1"1/4	42.4	1"1/4	720
419628	BAG2-180-48-42-A	48.3	1"1/2	42.4	1"1/4	710
419626	BAG2-180-48-48-A	48.3	1"1/2	48.3	1"1/2	700
419624	BAG2-180-60-42-A	60.3	2"	42.4	1"1/4	690
419622	BAG2-180-60-48-A	60.3	2"	48.3	1"1/2	680

BAG2-180-SST

STAINLESS STEEL

Code	Description
419631	BAG2-180-42-42-SST
419629	BAG2-180-48-42-SST
419627	BAG2-180-48-48-SST
419625	BAG2-180-60-42-SST
419623	BAG2-180-60-48-SST